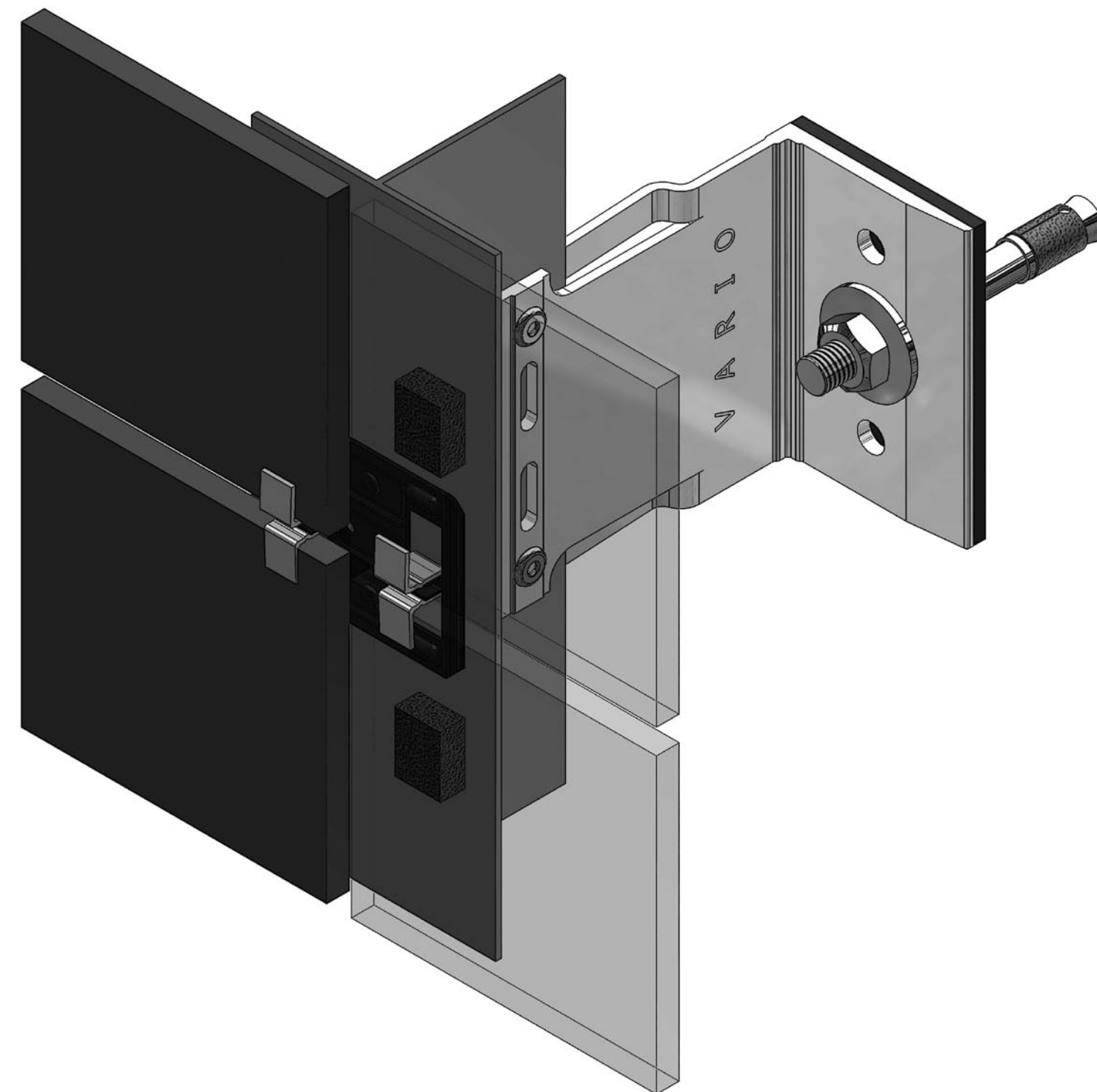
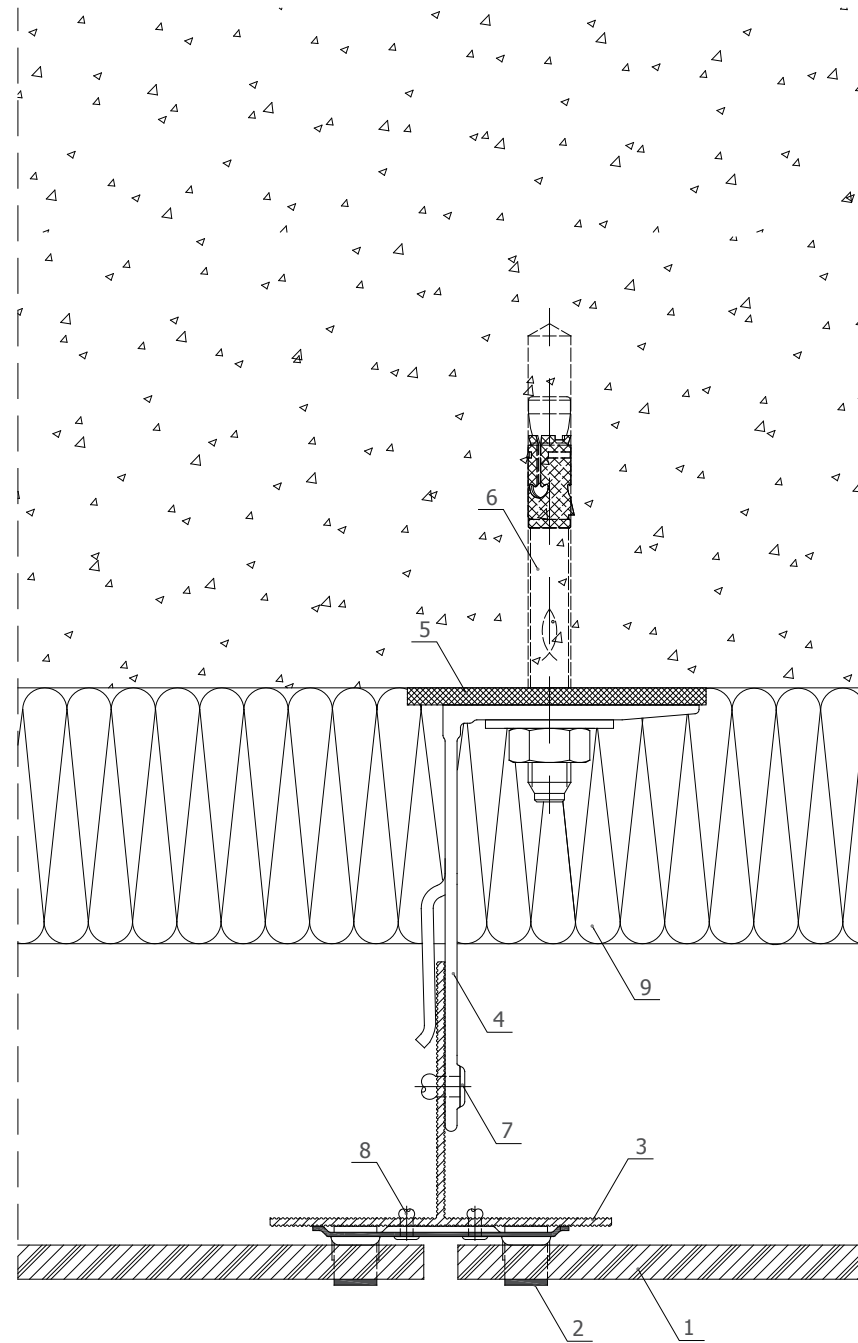




VENTILATED FAÇADE SYSTEM FOR MOUNTING LIGHT CERAMIC TILES AND THIN STONE

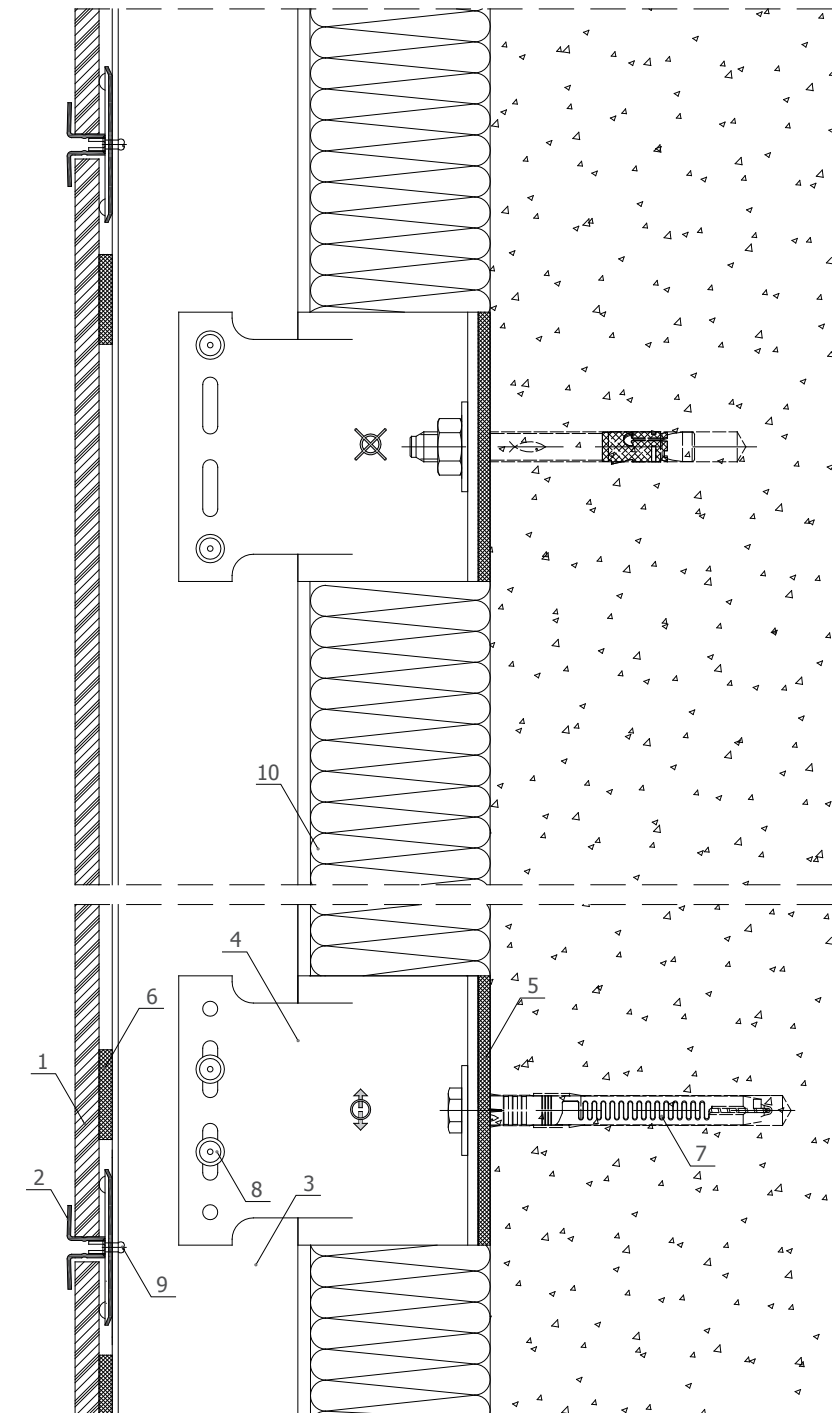


detail 1 - light ceramic tiles and thin stone



1. light ceramic tiles and thin stone
2. hanger
3. main profile
4. fixing bracket 100mm
5. thermo-insulation pad
6. anchor
7. rivet 4.8x12
8. rivet 3.2x8
9. thermal insulation with black veil

detail 2 - light ceramic tiles and thin stone



1. light ceramic tiles and thin stone
2. hanger
3. main profile
4. fixing bracket 100mm
5. thermo-insulation pad
6. self-stick supporting buffer
7. anchor/plug
8. rivet 4.8x12
9. rivet 3.2x8
10. thermal insulation with black veil

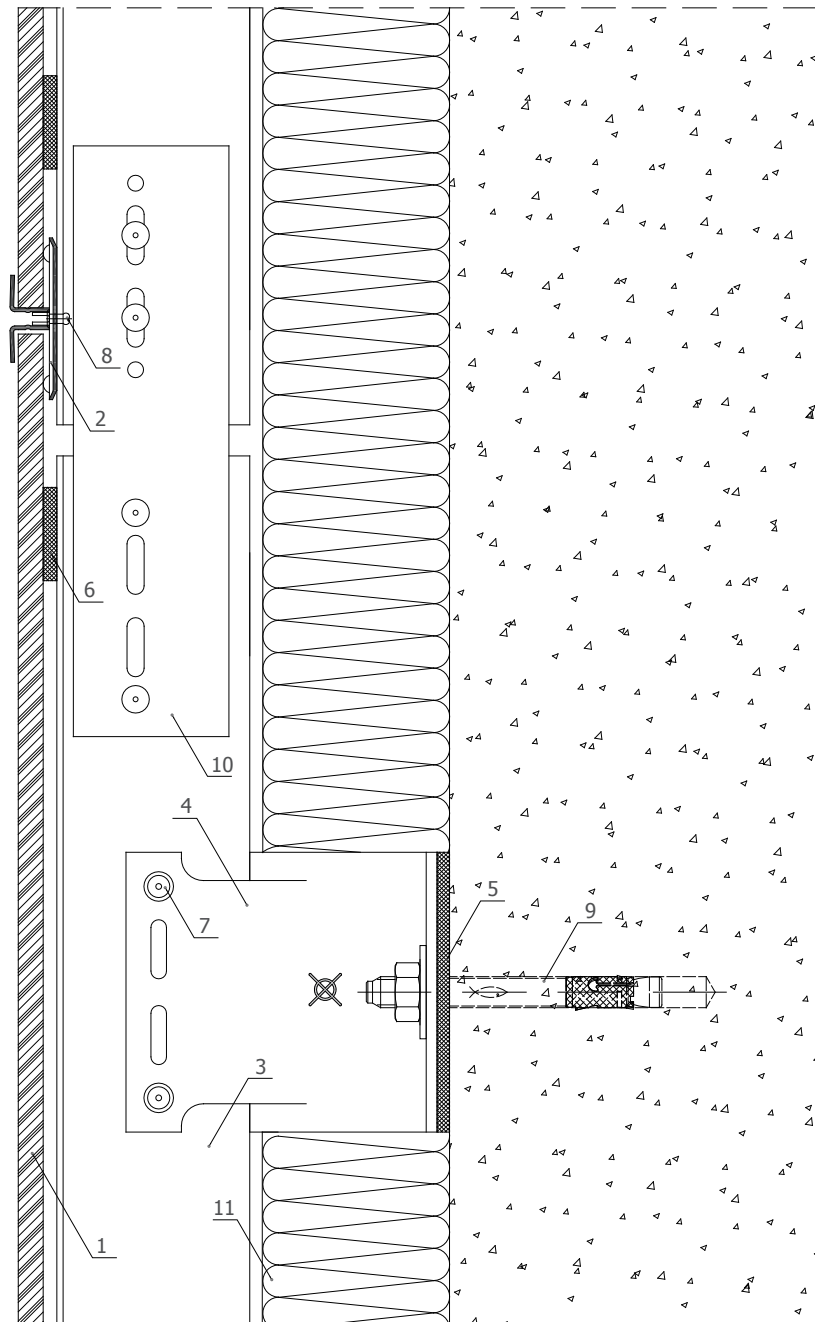
03/2010

The engineering design of this product is an intellectual property of ETEM Building Systems .
Copying and distributing any parts of the product is a violation of the copyright law.

03/2010

The engineering design of this product is an intellectual property of ETEM Building Systems .
Copying and distributing any parts of the product is a violation of the copyright law.

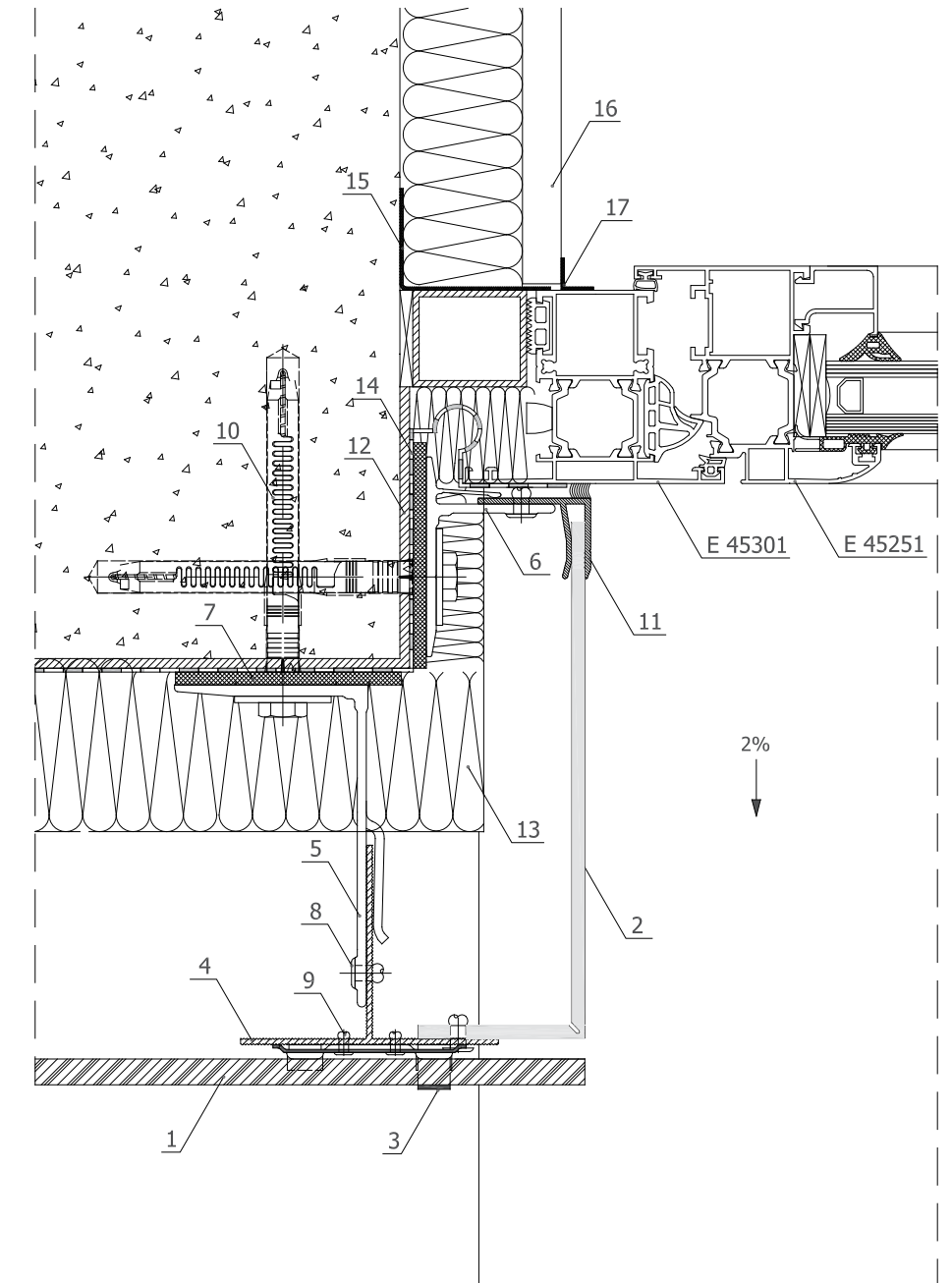
detail 2.1 - light ceramic tiles and thin stone



1. light ceramic tiles and thin stone
2. hanger
3. main profile
4. fixing bracket 100mm
5. thermo-insulation pad
6. self-stick supporting buffer
7. rivet 3.2x8
8. rivet 4.8x12
9. anchor
10. joint profile
11. thermal insulation with black veil

1. light ceramic tiles and thin stone
2. etalbond®
3. hanger
4. main profile
5. fixing bracket 100mm
6. fixing bracket 40mm
7. thermo-insulation pad
8. rivet 4.8x12
9. rivet 3.2x8
10. anchor/plug
11. F profile
12. aluminum sheet 3mm
13. thermal insulation with black veil
14. waterproofing
15. steamproofing membrane
16. plasterboard
17. decorative PVC profile

detail 3 - light ceramic tiles and thin stone



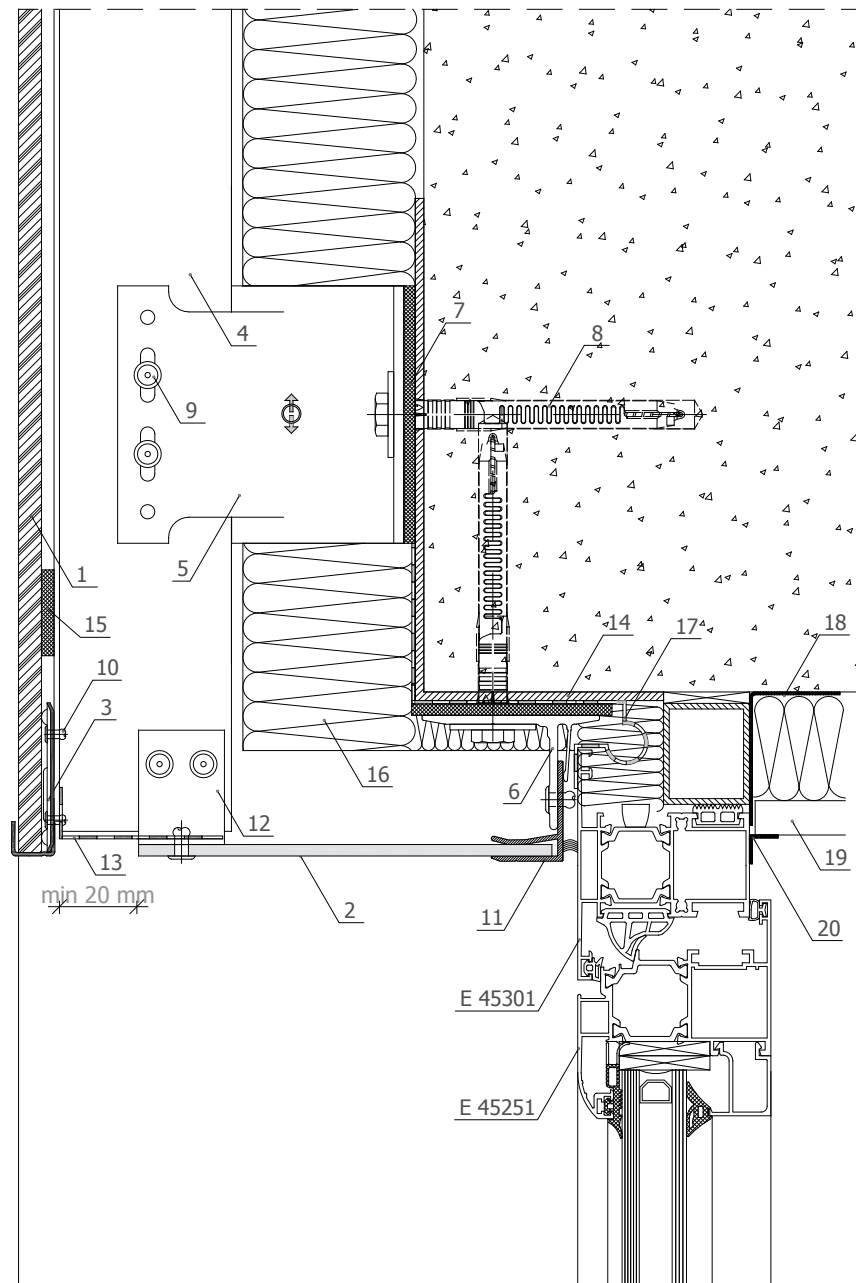
03/2010

The engineering design of this product is an intellectual property of ETEM Building Systems .
Copying and distributing any parts of the product is a violation of the copyright law.

03/2010

The engineering design of this product is an intellectual property of ETEM Building Systems .
Copying and distributing any parts of the product is a violation of the copyright law.

detail 4 - light ceramic tiles and thin stone

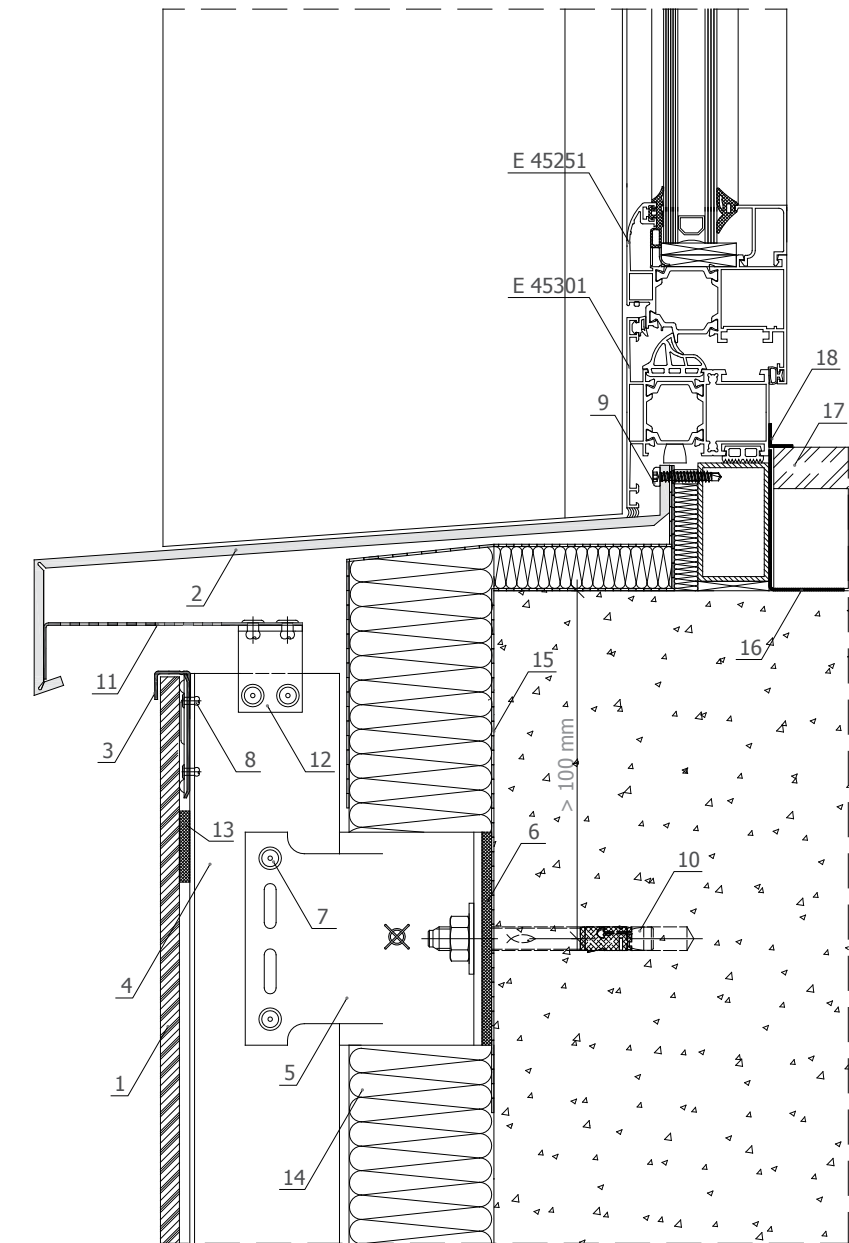


1. light ceramic tiles and thin stone
2. etalbond®
3. hanger
4. main profile
5. fixing bracket 100mm
6. fixing bracket 40mm
7. thermo-insulation pad
8. rivet 4.8x12
9. rivet 3.2x8
10. anchor/plug
11. F profile
12. L profile
13. aluminum sheet 3mm
14. thermal insulation with black veil
15. self-stick supporting buffer
16. waterproofing
17. steamproofing membrane
18. plasterboard
19. decorative PVC profile

03/2010

The engineering design of this product is an intellectual property of ETEM Building Systems .
Copying and distributing any parts of the product is a violation of the copyright law.

detail 5 - light ceramic tiles and thin stone

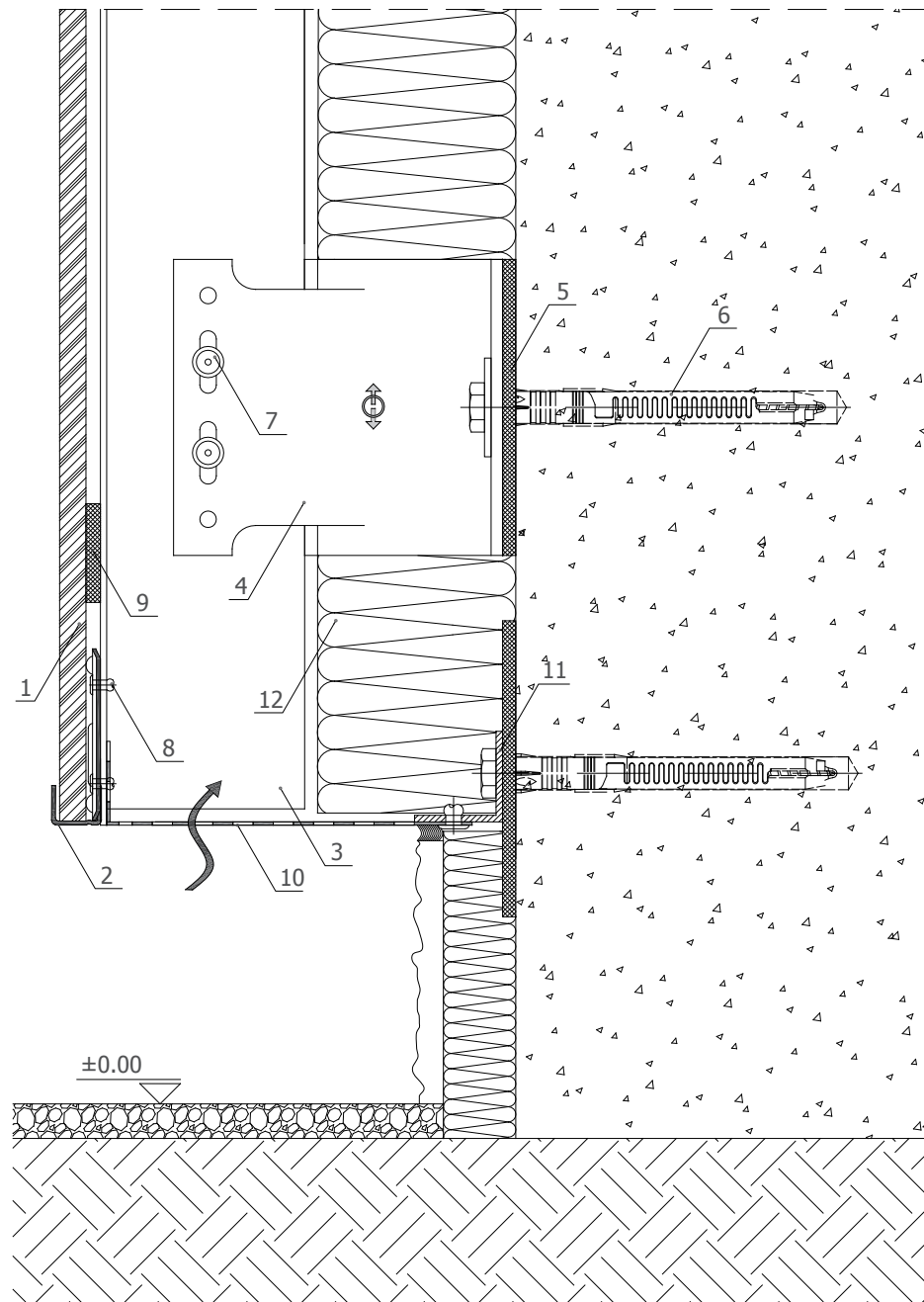


1. light ceramic tiles and thin stone
2. etalbond®
3. hanger
4. main profile
5. fixing bracket 100mm
6. thermo-insulation pad
7. rivet 4.8x12
8. rivet 3.2x8
9. self drilling screw 4.2x26
10. anchor
11. perforated metal sheet
12. L profile
13. self-stick supporting buffer
14. thermal insulation with black veil
15. waterproofing
16. steamproofing membrane
17. drip sill
18. decorative PVC profile

03/2010

The engineering design of this product is an intellectual property of ETEM Building Systems .
Copying and distributing any parts of the product is a violation of the copyright law.

detail 6 - light ceramic tiles and thin stone

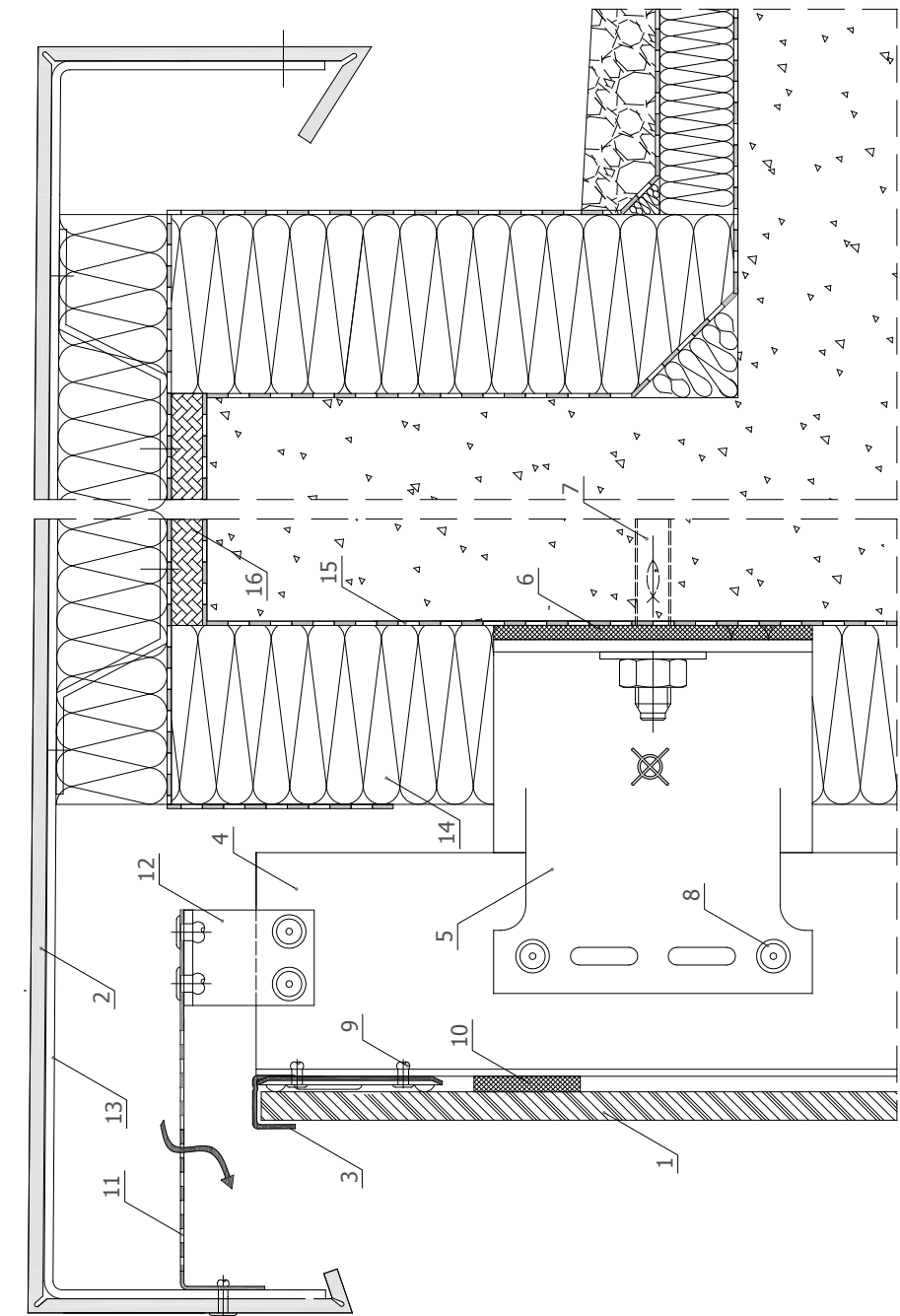


1. light ceramic tiles and thin stone
2. hanger
3. main profile
4. fixing bracket 100mm
5. thermo-insulation pad
6. plug
7. rivet 4.8x12
8. rivet 3.2x8
9. self-stick supporting buffer
10. perforated metal sheet
11. L profile
12. thermal insulation with black veil

03/2010

The engineering design of this product is an intellectual property of ETEM Building Systems .
Copying and distributing any parts of the product is a violation of the copyright law.

detail 7 - light ceramic tiles and thin stone

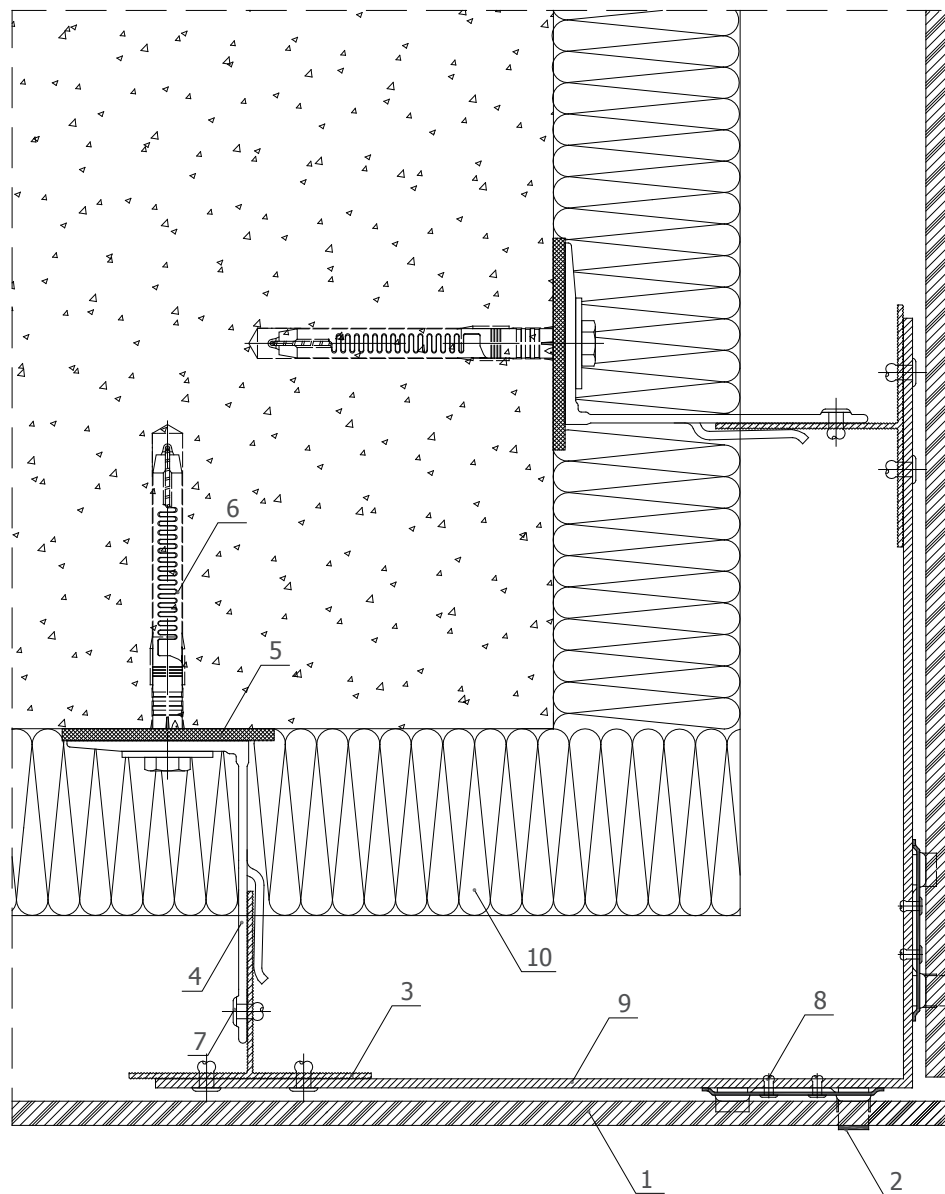


1. light ceramic tiles and thin stone
2. etalbond®
3. hanger
4. main profile
5. fixing bracket 100mm
6. thermo-insulation pad
7. anchor
8. rivet 4.8x12
9. rivet 3.2x8
10. self-stick supporting buffer
11. perforated metal sheet
12. L profile
13. aluminum sheet 3mm
14. thermal insulation with black veil
15. waterproofing
16. plywood

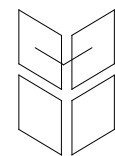
03/2010

The engineering design of this product is an intellectual property of ETEM Building Systems .
Copying and distributing any parts of the product is a violation of the copyright law.

detail 8 - light ceramic tiles and thin stone



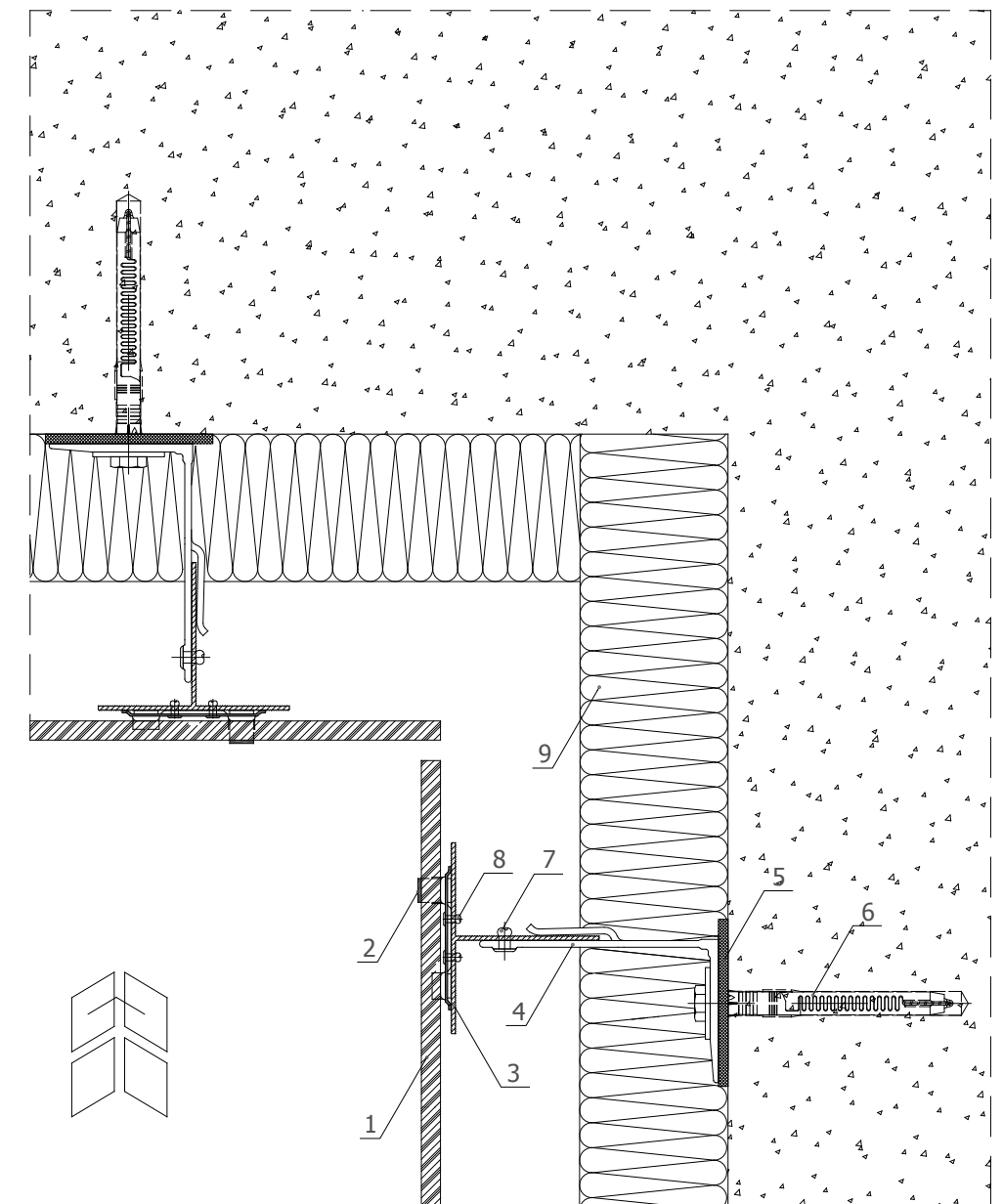
1. light ceramic tiles and thin stone
2. hanger
3. main profile
4. fixing bracket 100mm
5. thermo-insulation pad
6. plug
7. rivet 4.8x12
8. rivet 3.2x8
9. aluminum sheet 3mm
10. thermal insulation with black veil



03/2010

The engineering design of this product is an intellectual property of ETEM Building Systems .
Copying and distributing any parts of the product is a violation of the copyright law.

detail 9 - light ceramic tiles and thin stone

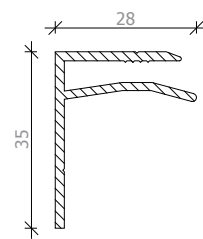
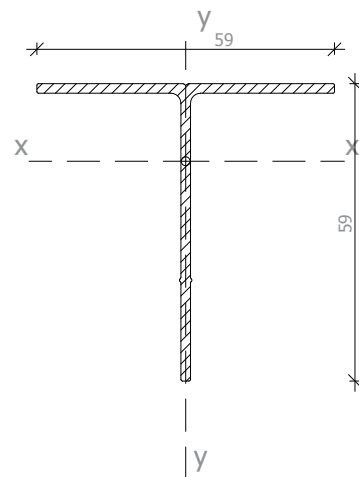
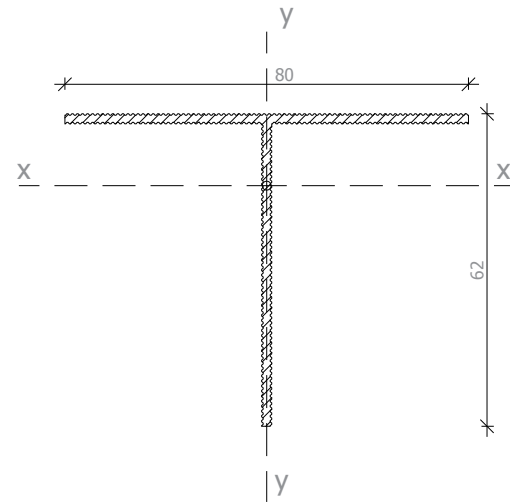


1. light ceramic tiles and thin stone
2. hanger
3. main profile
4. fixing bracket 100mm
5. thermo-insulation pad
6. plug
7. rivet 4.8x12
8. rivet 3.2x8
9. thermal insulation with black veil

03/2010

The engineering design of this product is an intellectual property of ETEM Building Systems.
Copying and distributing any parts of the product is a violation of the copyright law.

main profile



Profile 14222
 Weight 758.5g/m
 $I_x = 86.70 \text{ cm}^4$
 $W_x = 18.16 \text{ cm}^3$
 $I_y = 72.56 \text{ cm}^4$
 $W_y = 50.85 \text{ cm}^3$
 $A = 2.38 \text{ cm}^2$

Profile 33570
 Weight 600.5 g/m
 $I_x = 7.78 \text{ cm}^4$
 $W_x = 1.78 \text{ cm}^3$
 $I_y = 3.25 \text{ cm}^4$
 $W_y = 1.1 \text{ cm}^3$
 $A = 2.22 \text{ cm}^2$

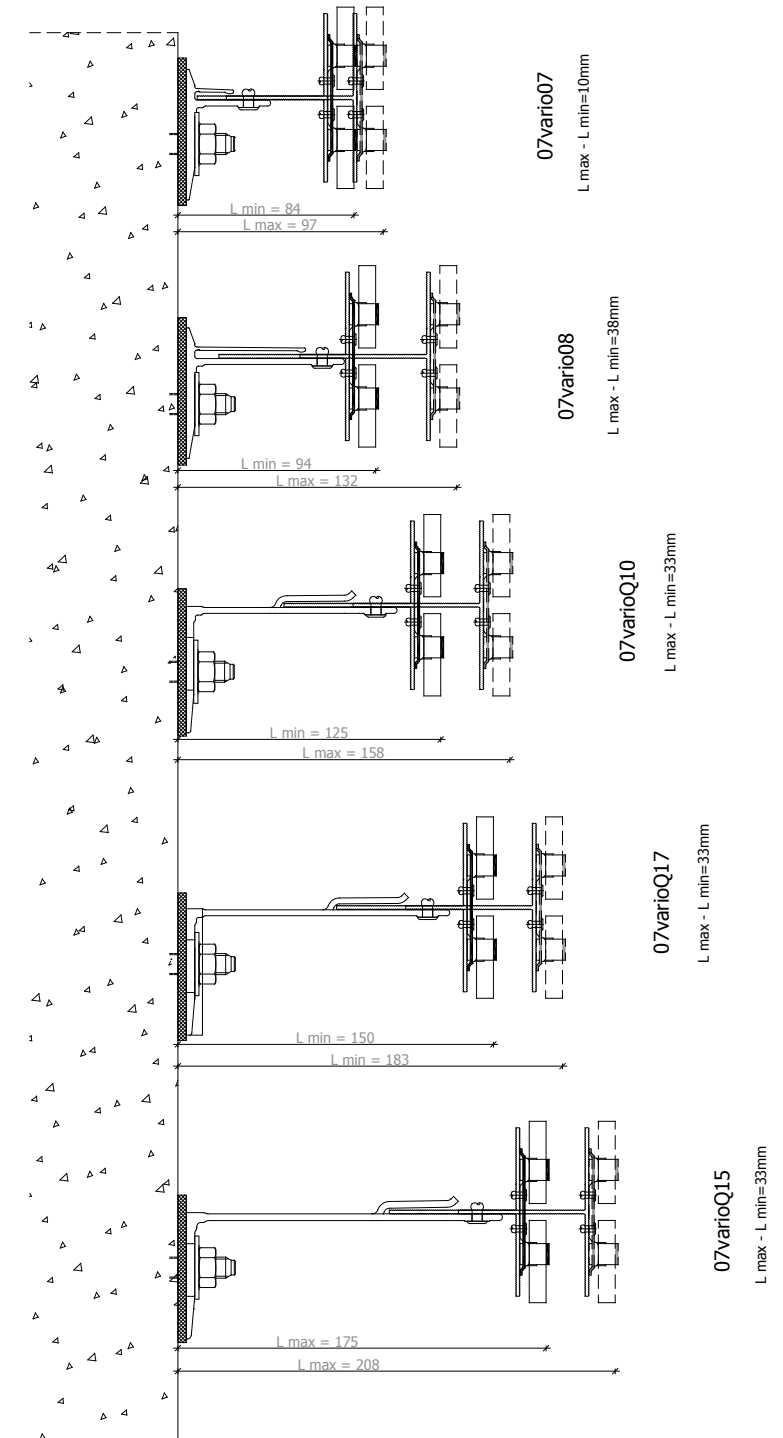
Profile 31064
 Weight 392 g/m

03/2010

* The main supporting profiles should be painted or overlapped with a black strip.
 *It is recommended to cover the thermal insulation with a black veil.
 The engineering design of this product is an intellectual property of ETEM Building Systems .
 Copying and distributing any parts of the product is a violation of the copyright law.



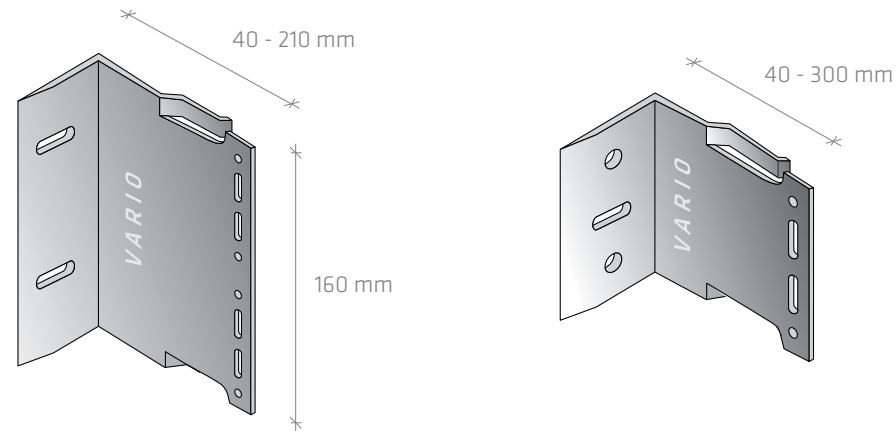
mounting distance from the construction base of T profile - 14222



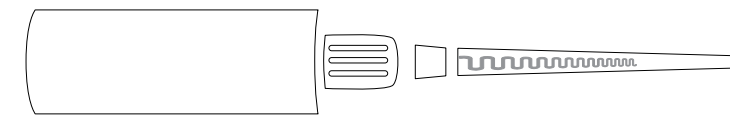
03/2010

The engineering design of this product is an intellectual property of ETEM Building Systems.
 Copying and distributing any parts of the product is a violation of the copyright law.

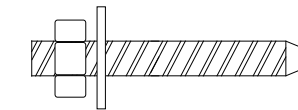
fixing bracket



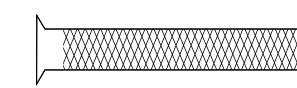
fastening elements



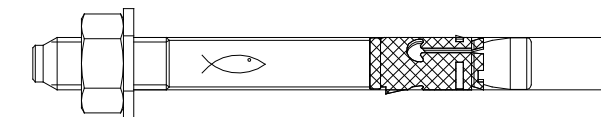
chemical anchor



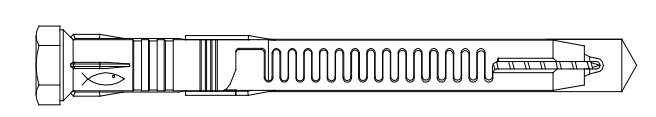
threaded rod



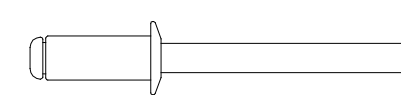
plastic sieve



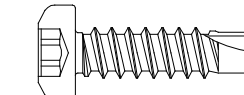
anchor



plug

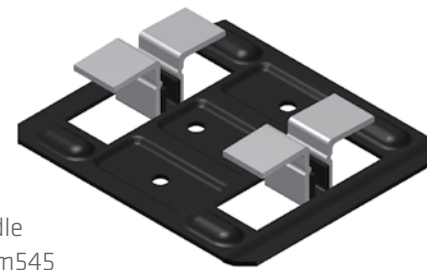


rivet



self drilling screw

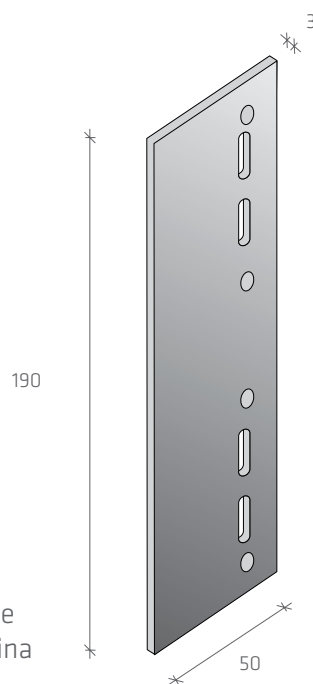
accessories



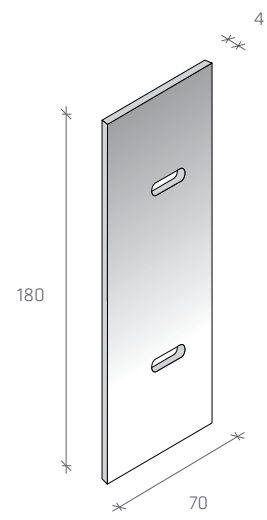
clamp middle
code 07bwm545



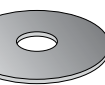
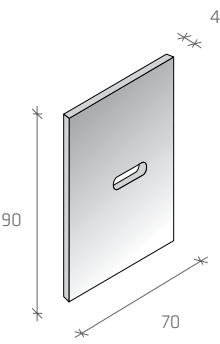
clamp end
code 07bwm548



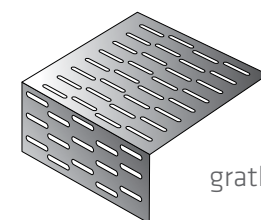
joint profile
code 07shina



thermo-insulation pad
code 07pvcbreak00



washer
code 07washerQ10



gratling

03/2010

The engineering design of this product is an intellectual property of ETEM Building Systems .
Copying and distributing any parts of the product is a violation of the copyright law.



03/2010

The engineering design of this product is an intellectual property of ETEM Building Systems.
Copying and distributing any parts of the product is a violation of the copyright law.

